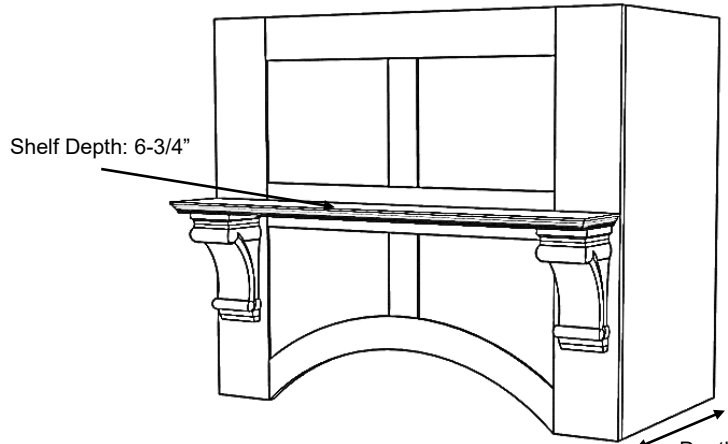


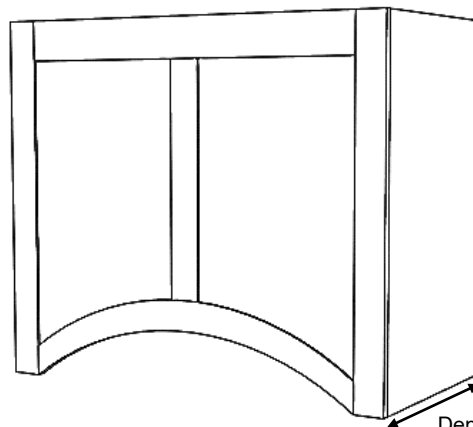
Depth is 22-1/4"

M Series shown with no shelf (M)



Depth is 22-1/4"

MS Series shown with optional corbels (MS)



Depth is 22-1/4"

MDP Series (MDP)

M Series

Standard Widths	30, 36, 42, 48, 54, 60 (Reduced widths available)
Standard Heights	24, 30, 36, 42, 48 (Reduced heights available)
Removable Options	Removable Panel – Standard on MS style only (MRP) 2" fixed top rail available by request (MRP-2TR) –See modifications section.
Available Options	Decorative shelf is the default shelf style Basic shelf style is available upon request Corbels – All Stanisci corbel options will fit this design (See corbel options page)
Ventilation	Hood will be same width as available vent width. Example: To use a 36" vent model, the hood should be a minimum of 36" wide
Grain Direction	Vertical

Standard Heights: 24, 30, 36, 42, 48



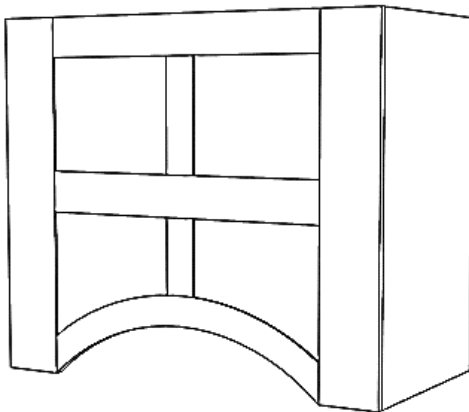
Decorative Shelf- Standard



Basic Shelf- Optional

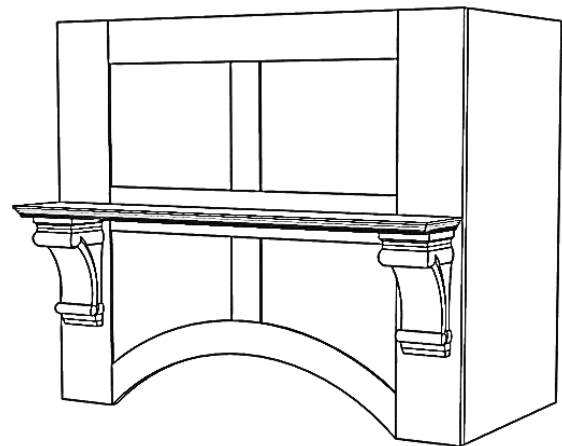
M- 4 Panels Without Shelf

- M 30
- M 36
- M 42
- M 48
- M 54
- M 60



MS- 4 Panels With Shelf

- MS 30
- MS 36
- MS 42
- MS 48
- MS 54
- MS 60



MDP- Two Panels

- MDP 30
- MDP 36
- MDP 42
- MDP 48
- MDP 54
- MDP 60

